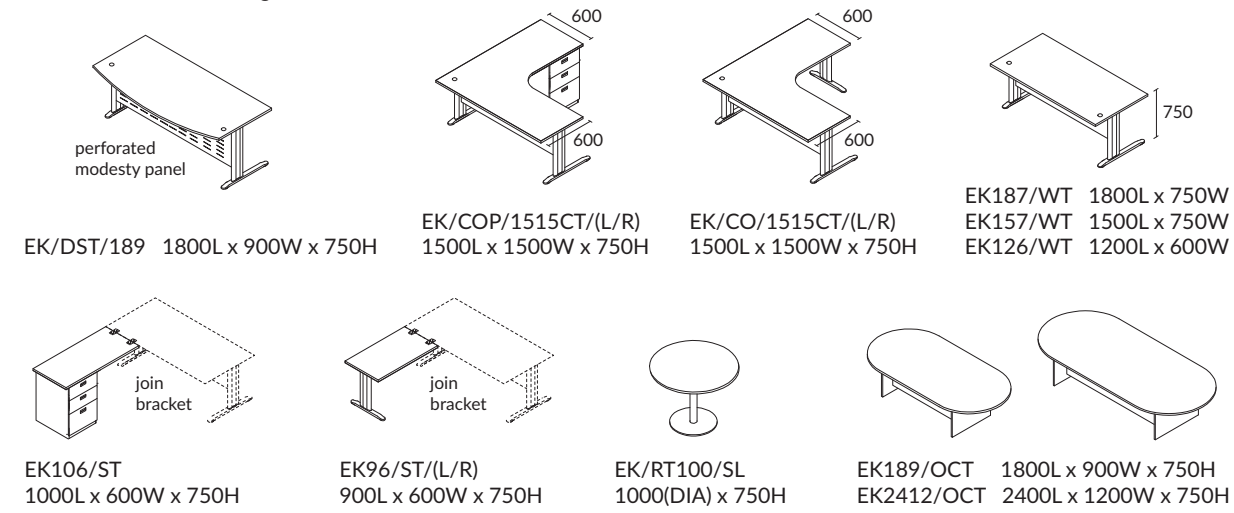




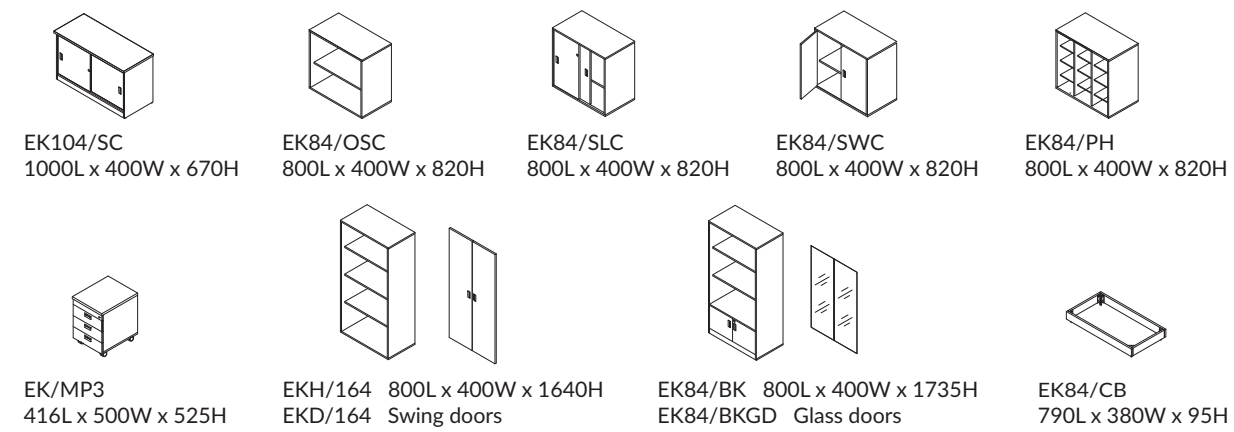
### DESK & TABLES

D shape table, L shape desk, L shape table, rectangular table, side return desk, side return table, round table, oval meeting table

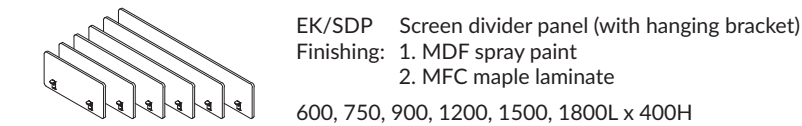


### STORAGE

side cabinet with base, open shelf cabinet, sliding door cabinet, swing door cabinet, pigeon hole cabinet, mobile pedestal, high open shelf cabinet (optional doors), bookcase with base (optional glass doors), cabinet base



### SCREEN



### COLOURS & SURFACE MATERIALS

Melamine Faced Chipboard (for tops and doors only)  
Metal in white (perforated modesty and support leg)



Colours shown here may contain variation from the actual colours. Please use actual surface material samples when specifying colours.

ambient  
concept

AMBIENT CONCEPT SDN BHD (1067438-A) | No.2, Jalan Gelen K U19/K, Megamas Business Centre, 47000 Sg Buloh, Selangor, Malaysia  
TEL. +6 03 6140 8560 / 03 6140 8561 / 03 6140 8562 | FAX. +6 03 6151 8560 | EMAIL. sales@ambientconcept.com.my | www.ambientconcept.com.my



eko  
series

by ambient concept

# SIMPLEST SOLUTIONS

Understanding the need of budget offices, the highly practical systems furniture provides limitless configurations to accommodate any office space.

EKO is designed as a freestanding furniture that is highly adaptable with an office systems in mind. It set new expectations and open up new possibilities for people comfort and control. Power and communication are easily accessible while also providing a convenient storage solutions.



category:  
**SYSTEMS FURNITURE**

work mode:  
**FOCUS / SHARE**

series name:  
**EKO**

sub-category:  
**DESK-BASED SYSTEMS**

planning mode:  
**OPEN PLAN**