

YC

office seating



ambient
concept



adjustable headrest

Long working hours can lead to exhaustion. YC solves the fatigue problems through its sleek but fully integrated functional design. YC offers comfort for endless productivity through its blend of soft furnishings, supportive design, and effortless style.



more than 45° of tilt



straight in 90°



less than 45° of tilt



coat hanger

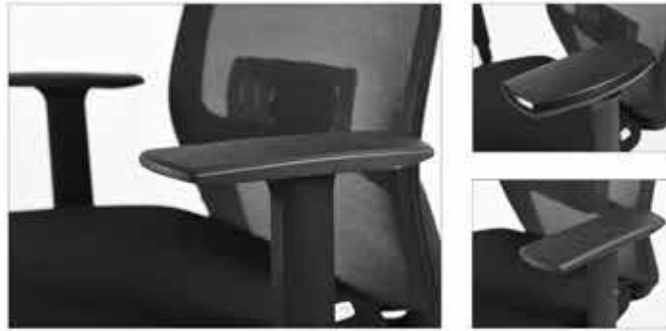


adjustable/fixed **armrest**

Height-adjustable armrests with rotating arm cap naturally position user's arms, eliminating awkward shoulder angles and minimizing discomfort in the arms, shoulders or neck.



4D angle adjustable armrest



fixed armrest



adjustable lumbar support

Ergonomic design for lumbar support that adjust to spinal curves and contours, relieving back pressure.



chrome lining



sleek side moulded frame



adjustable back support



swivel adjustable



seat depth adjustable and
synchronize mechanism

mechanism

Synchronize multi-locking system mechanism provides different position for the user. Whereas the seat depth adjustment make the best possible leg and thigh support.

base - nylon/footring

Elastic moulded nylon chair base support the body's with ergonomic movement across the regular workday. Besides, our footrest platform noticeably relieves foot pressure and discomfort from long working hours.



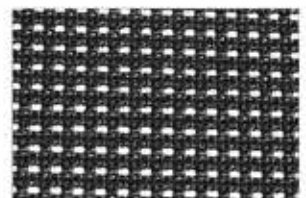
nylon chair base with castors



height adjustable foot ring base



fabric seat (PU foam)

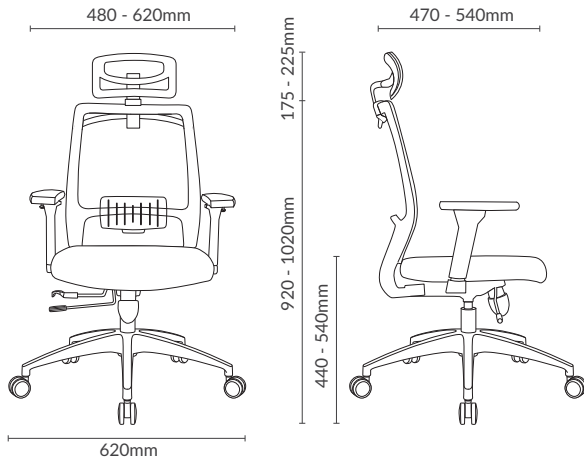


mesh backrest

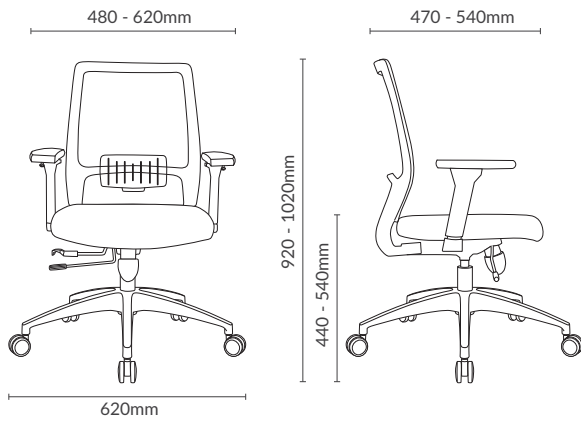
fabrication

STATEMENT OF LINE

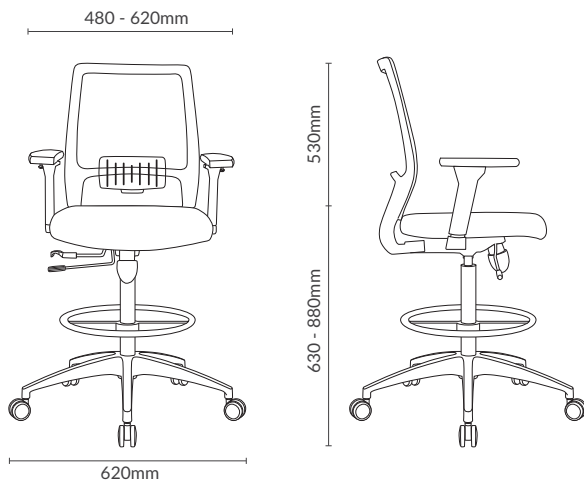
HIGHBACK CHAIR



MIDBACK CHAIR



STOOL



FEATURES & FUNCTIONS



swivel & pneumatic height adjustment



lumbar support adjustment



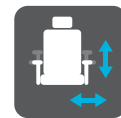
headrest height adjustment



headrest tilt & forward adjustment



seat depth adjustment



armrest 4D adjustment



synchronize reclining lock



tilt tension adjustment



coat hanger



ambient
concept

AMBIENT CONCEPT SDN BHD (1069438-A) No.2, Jalan Gelen K U19/K, Megamas Business Centre, 47000 Sungai Buloh, Selangor, Malaysia
TEL. +6 03 6140 8560 / 03 6140 8561 / 03 6140 8562 | FAX. +6 03 6151 8560 | EMAIL. sales@ambientconcept.com.my www.ambientconcept.com.my